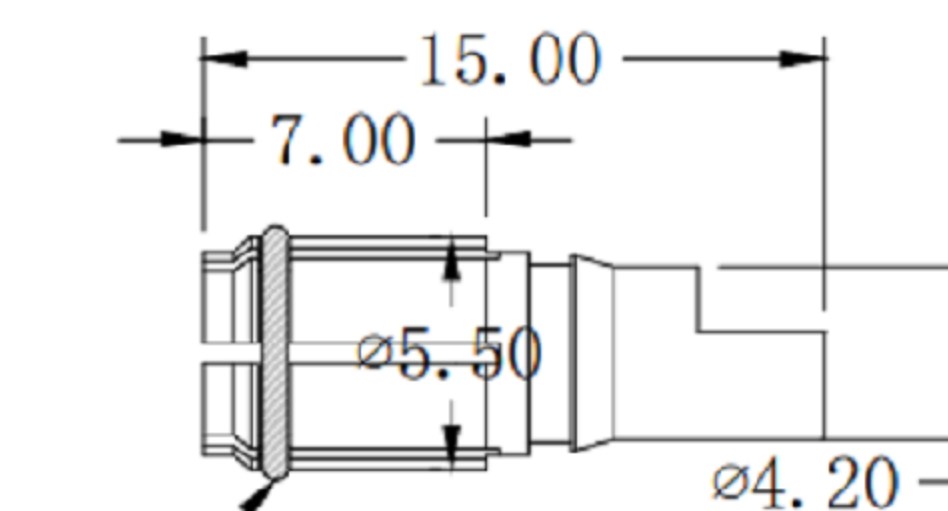
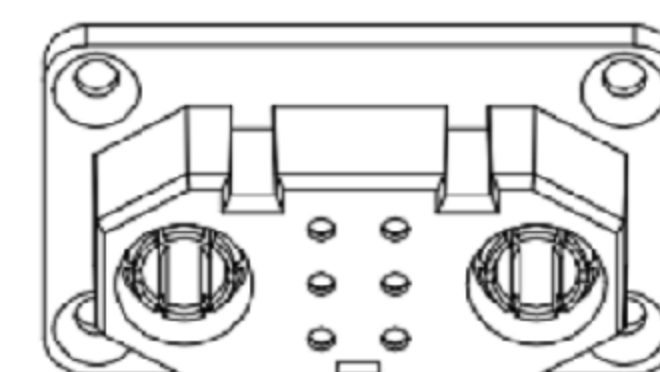
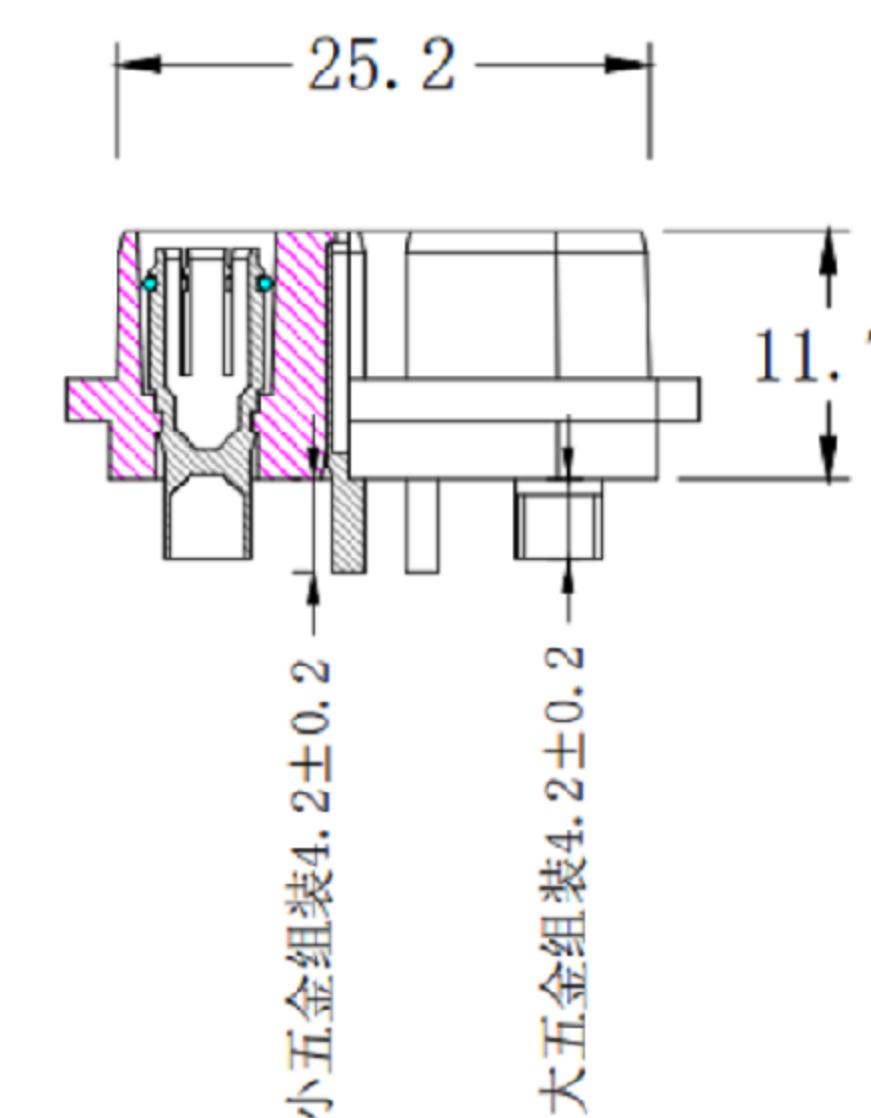
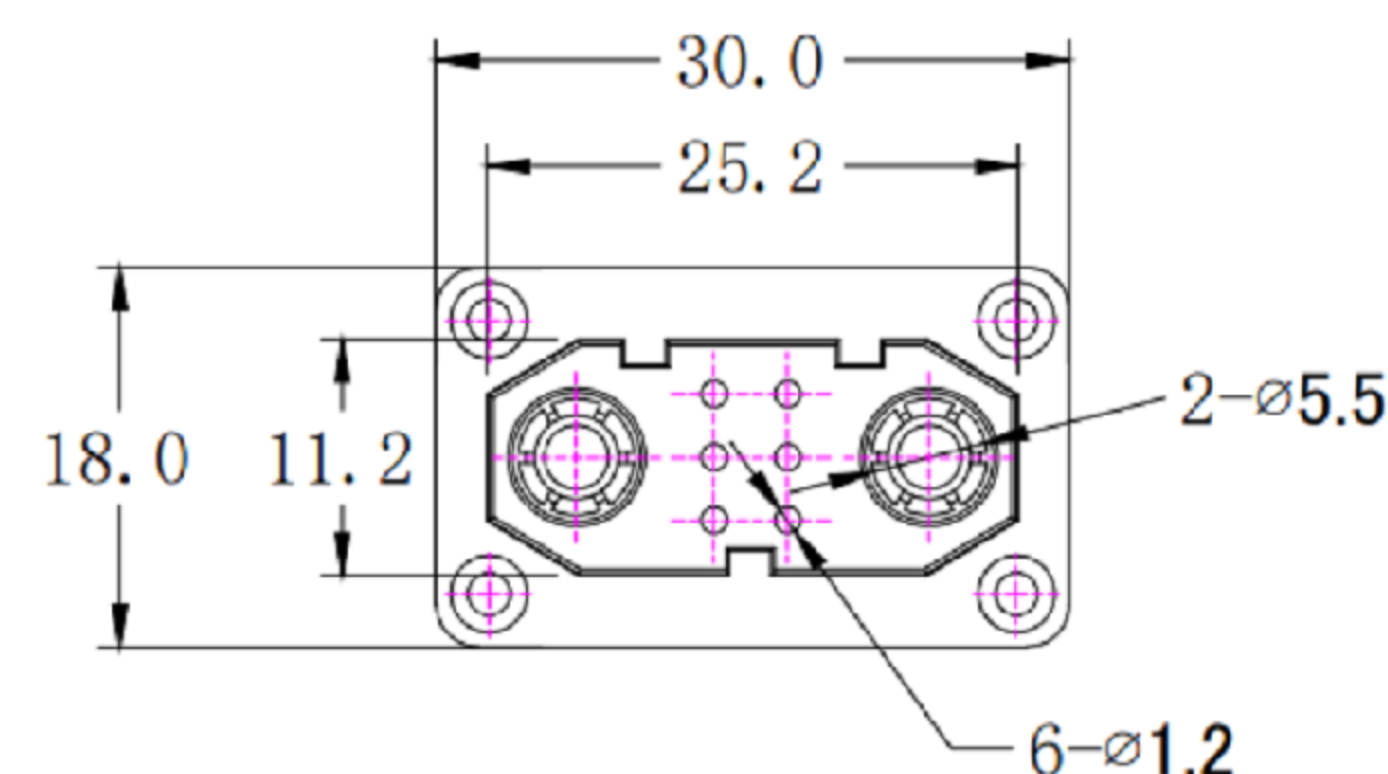
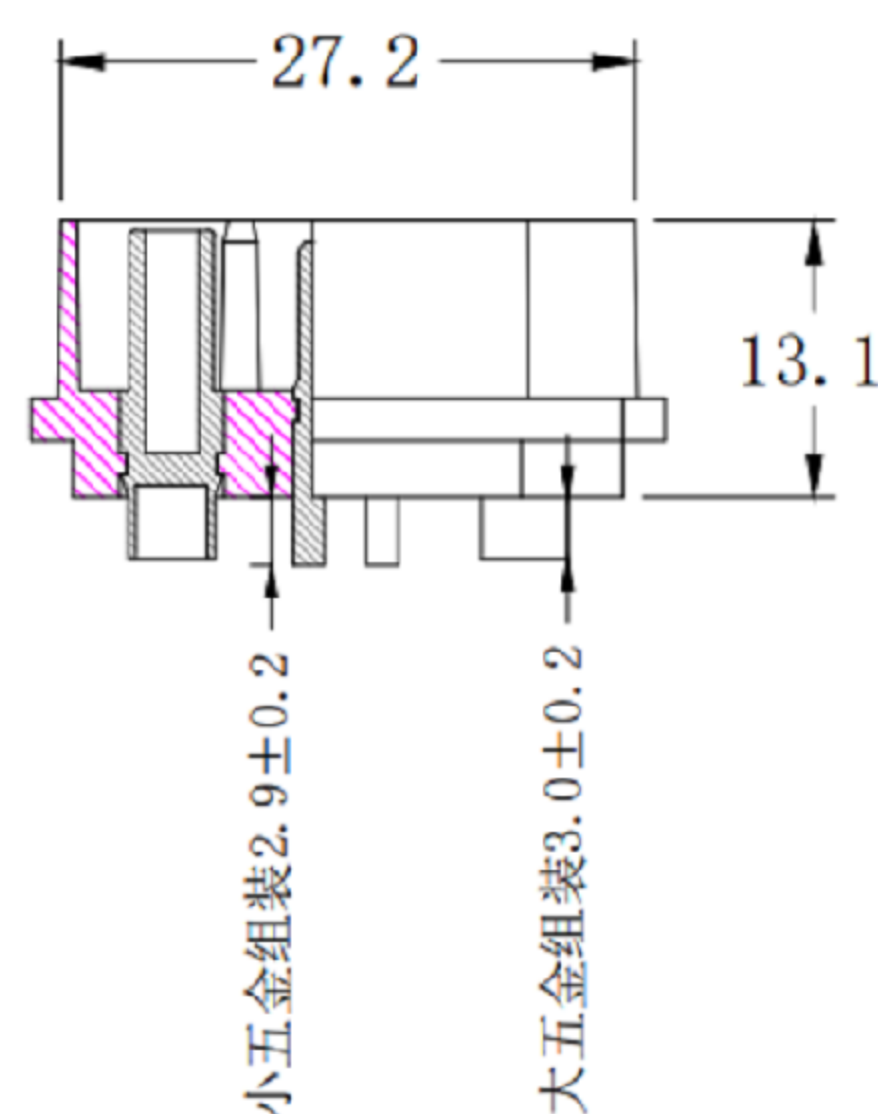
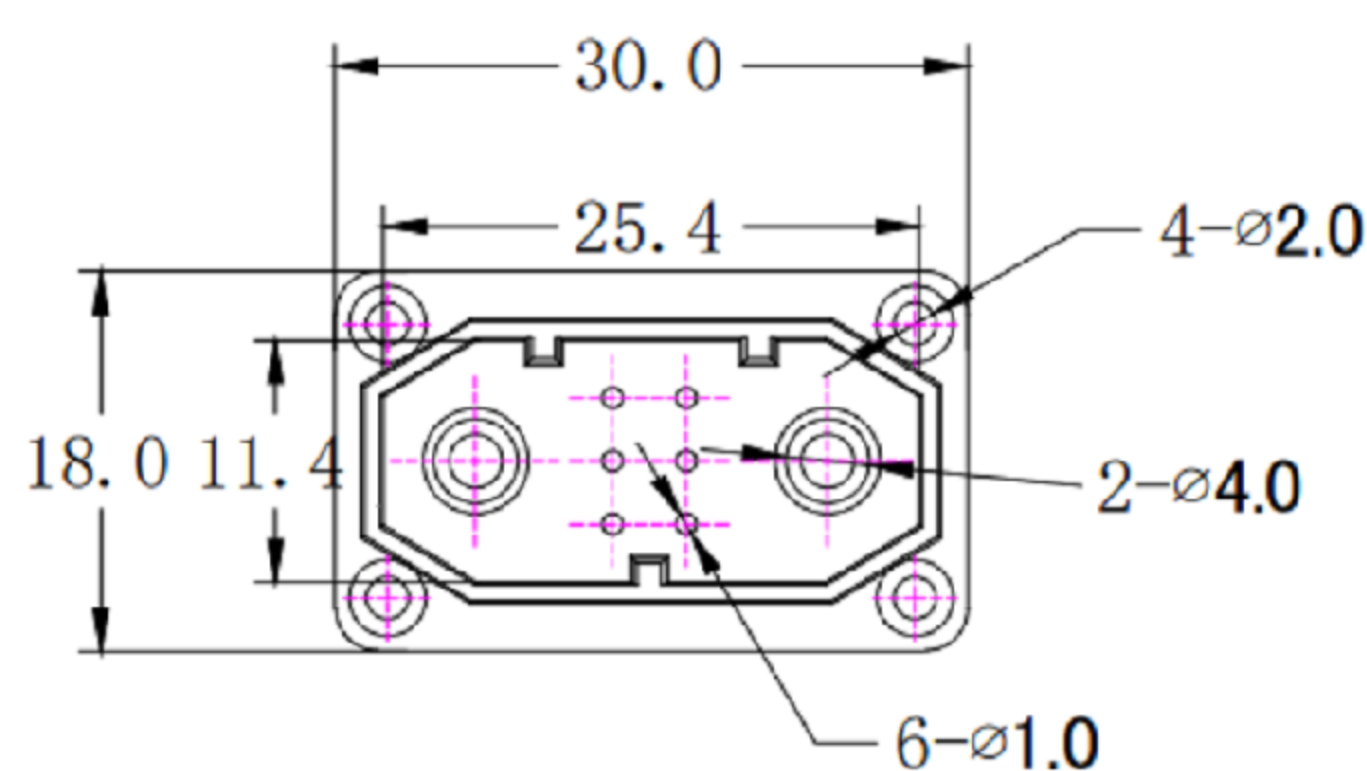


图B (2:1)

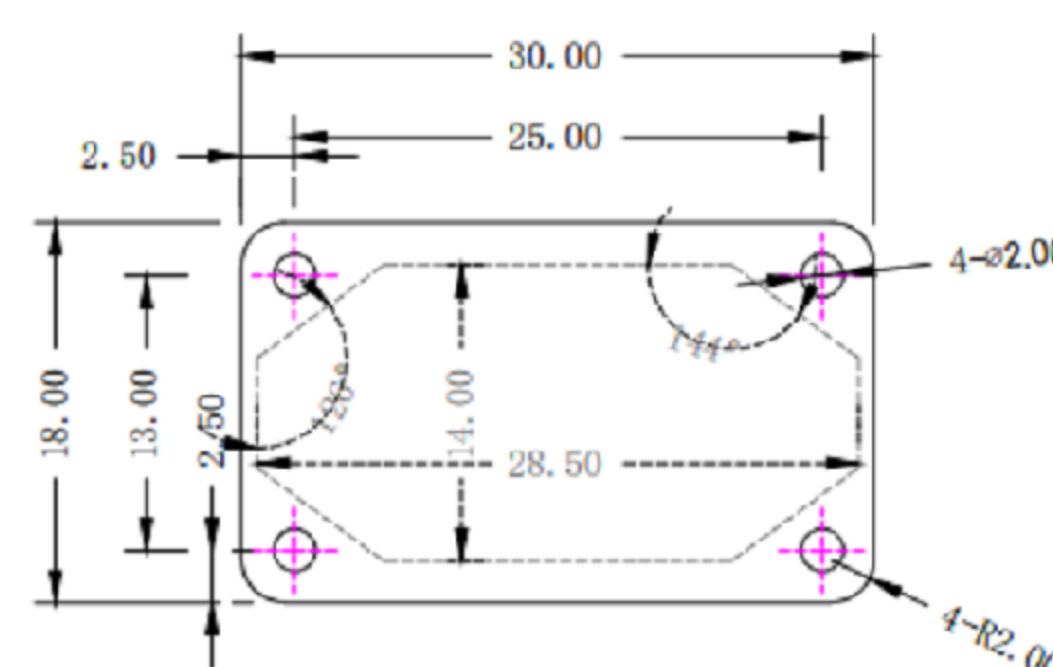


C图 (2:1)

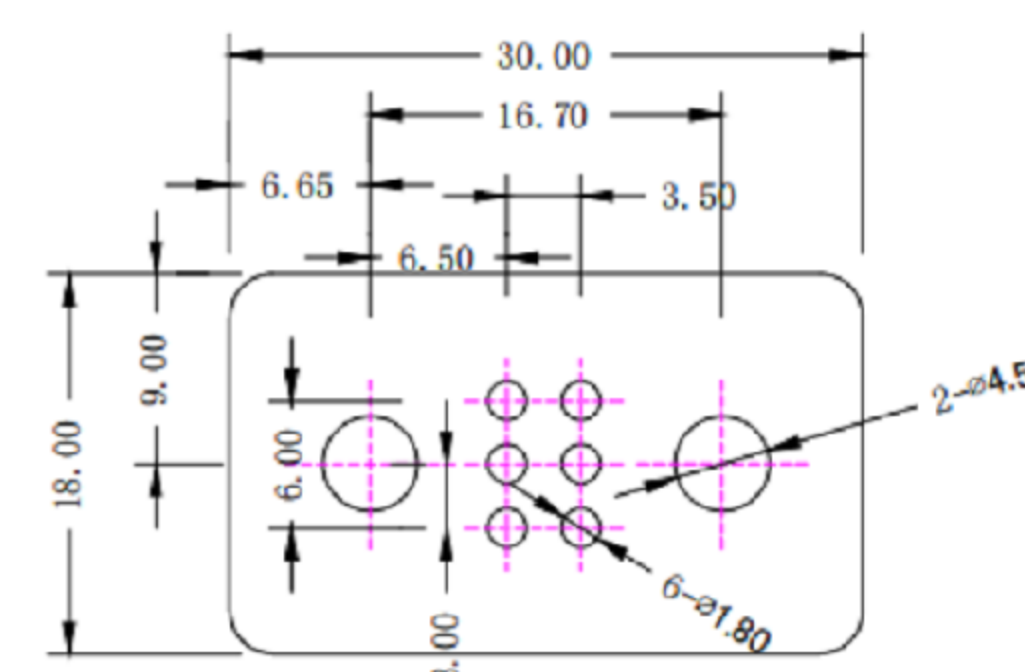


GD-TX-2+6-M 公头

产品型号: GD-TX-2+6-G
 产品颜色: 黄色/黑色
 金属材质: 铜镀金(1u)
 绝缘材质: PA
 瞬时电流: (大)120A (小)7A
 额定电流: (大)90A(小) 5A
 额定电压: DC 500V
 工作温度: -20°C to 120°C
 推荐使用次数: 2000 TIMES



M2沉头螺丝固定开孔图与开窗图



Recommended P.C. Board Layout

东莞市高迪电子有限公司
 DONG GUAN GAO DI ELECTRONICS CO., LTD

TOLERANCE UNLESS OTHERWISE STATED:
 Up to 5 ± 0.2
 Above 5 ~ 15 ± 0.3
 Above 15 ~ 30 ± 0.4
 Above 30 ~ 50 ± 0.5
 Angle $\pm 0.3^{\circ}$

3RD. ANGEL'S

UNITS MM

DRAWN BY:	DATE	MAT'L	TITLE	CONNECTOR
Jack Lu	12/13/19		MODLE	GD-TX-2+6连接器
CHECKED BY:	DATE	FINISH	DWG NO.	SIZE
Jacky Chen	12/13/19		PART NO.	A4
APPROVED BY:	DATE	SCALE	1:1	VER
Tony Kao	12/13/19	SHEET NO.	1 of 1	R1